

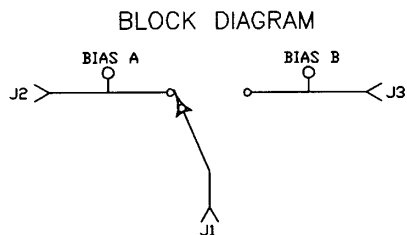
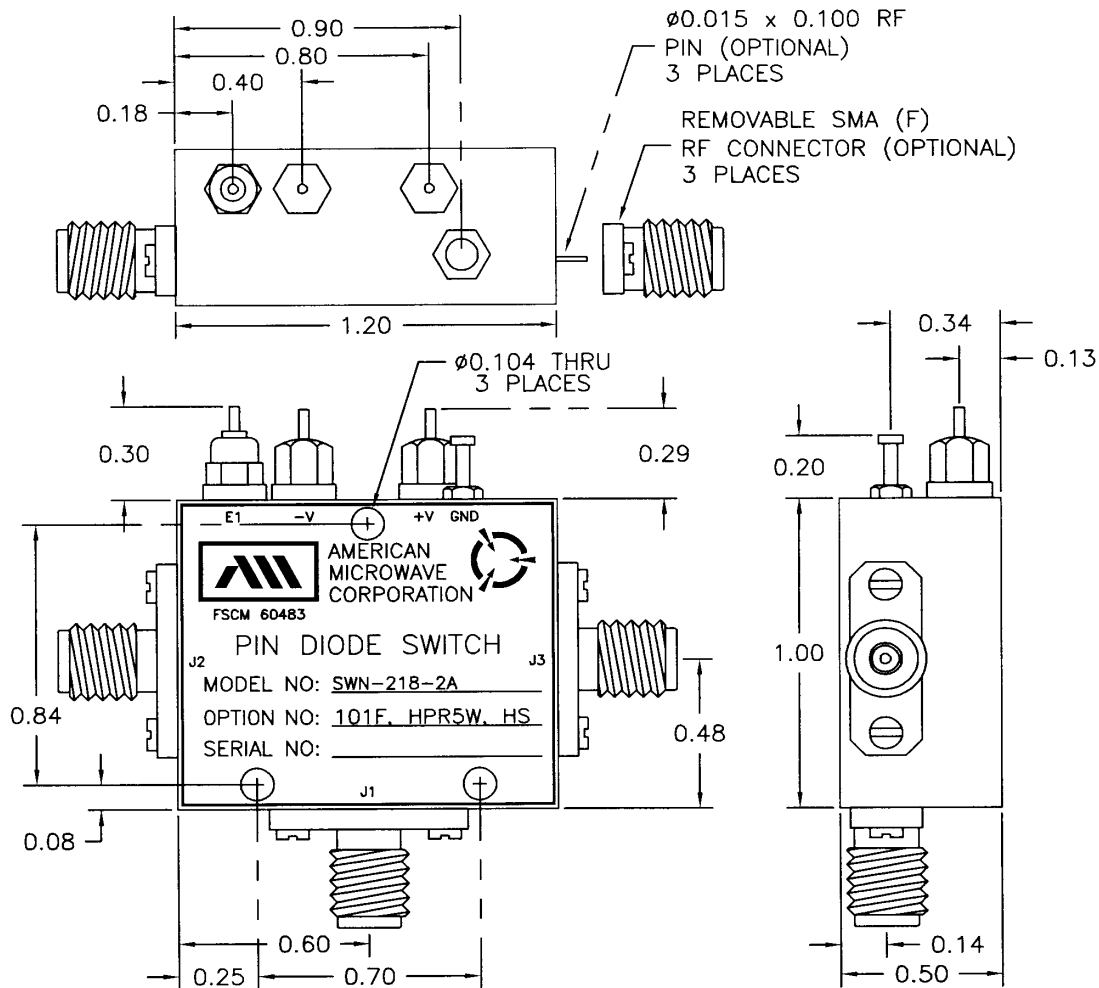
**DESCRIPTION:**

AMC MODEL NUMBER SWN-218-2A OPTIONS 101F, HPR5W, HS IS A SINGLE POLE DOUBLE THROW REFLECTIVE PIN DIODE SWITCH MODULE DESIGNED WITH LOW LOSS, HIGH ISOLATION AND OPERATES AT THE 1030 MHz FREQUENCY.

REVISIONS				
ZONE	REV.	DESCRIPTION	DATE	APPROVED
-	-	ORIGINAL RELEASE, JOB# 911215E	11/10/09	

**SPECIFICATIONS:**

- FREQUENCY: ..... 1030 MHz
- INSERTION LOSS: ..... 1.2 dB MAXIMUM
- ISOLATION: ..... 85 dB MINIMUM
- VSWR: ..... 2.0:1
- SPEED: ..... RISE TIME: 200 nsec MAXIMUM  
FALL TIME: 200 nsec MAXIMUM
- POWER INPUT: ..... (CW)+20dBm (STANDARD), +10 dBm (HIGH SPEED)
- POWER HANDLING: ..... 5 WATTS CW
- CONTROL: ..... TTL LOGIC "0"= J1-J2 ON "1"= J1-J3 ON
- POWER SUPPLY: ..... +5V @ 60 mA MAXIMUM  
-15V @ 100 mA MAXIMUM
- CONNECTORS:  
RF ..... SMA FEMALE  
CONTROL ..... SOLDER PIN
- SIZE: ..... 1.20" (L) x 1.00" (W) x 0.50" (H)
- WEIGHT: ..... 1.5 OUNCE TYPICAL



**CONFIDENTIAL AND PROPRIETARY**

**ENVIRONMENTAL RATINGS:**

- TEMPERATURE: ..... -55°C TO +85°C (OPERATING)  
-65°C TO +125°C (STORAGE)
- HUMIDITY: ..... MIL-STD-202F, METHOD 103B COND. B
- SHOCK: ..... MIL-STD-202F, METHOD 213B COND. B
- VIBRATION: ..... MIL-STD-202F, METHOD 204D COND. B
- ALTITUDE: ..... MIL-STD-202F, METHOD 105C COND. B
- TEMPERATURE CYCLE: ..... MIL-STD-202F, METHOD 107D COND. A

ALL DIMENSIONS ARE IN INCHES  
TOLERANCES:  
X.XX ±0.020  
X.XXX ±0.010

NOTE: THE ABOVE SPECIFICATIONS ARE SUBJECT TO CHANGE OR REVISION

APPROVALS		DATE	AMERICAN MICROWAVE CORPORATION FREDERICK, MARYLAND	
DRAWN		11/10/09	TITLE	
CHECKED			PRODUCT FEATURE	
ISSUED			SWN-218-2A	
			OPTIONS 101F, HPR5W, HS	
SIZE	FSCM NO.	DWG NO.	REV.	
A	60483	100-6842	-	
SCALE N/S			SHEET 1 of 3	